

Fundamental Quality In Safekeeping

These cabinets and stand meet code for fire extinguisher installation and adequately prepare you to protect life and property in an emergency.

Acetylene, Argon/Oxygen, and Compressed Gas fire extinguishers require sturdy construction to protect your extinguisher while providing easy access to them in case of a fire emergency.

EXTINGUISHER CABINETS

FireTool® METAL FIRE EXTINGUISHER CABINETS come with a white rust-resistant finish, making them the perfect protection for your fire extinguishers in a variety of environments. Additionally, the scored breakfronts provide quick and easy accessibility.

Mark 1 Jr. PLASTIC FIRE EXTINGUISHER CABINETS use injection molded plastic construction, for dent-, rust- and corrosion-proof performance. And with their plastic pull-off covers, there is no glass to break or breaker bar to lose, making it safer and simpler to access your fire extinguishers.

The **PORTABLE FIRE EXTINGUISHER STAND** is ideal for wherever a fire extinguisher is required but cannot be permanently mounted. Its transportability, red powder coated steel construction, and sturdy base make it the convenient choice for construction sites, exhibit halls, workshops, fairs, and more.



1017110

P/N	DESCRIPTION	PRICE
1017110	3" Trim, Full Acrylic Door	\$22.50
1017521	3" Trim Solid Door	\$22.50
1013610	Surface Mount w/ Sat-T-Lok Door	\$22.50
1815410	Flat Trim w/ Contemporary Vertical Door Panel Door	\$22.50
1027110	3" Trim (Aluminum) w/ Full Acrylic Door	\$22.50



F1916



K3M

P/N	DESCRIPTION	PRICE
F1916	Cabinet, 19 1/2" x 9 1/2" x 6 1/2"	\$22.50
K3M	Red Cabinet w/ Red Cover, Indoor/Outdoor	\$22.50
K3WC	White Cabinet w/ Clear Cover, Indoor	\$22.50



F151

P/N	DESCRIPTION	PRICE
F151	Fire Extinguisher Stand, 48"H	\$22.50

These and other Fire Safety Products available.

800.123.4567
www.distributor.com

YOUR LOGO HERE



With Brooks Rewards, members get Free Personalized Marketing Materials to build their brand.

2 CABINETS, ACCESSORIES, & COVERS



MJM



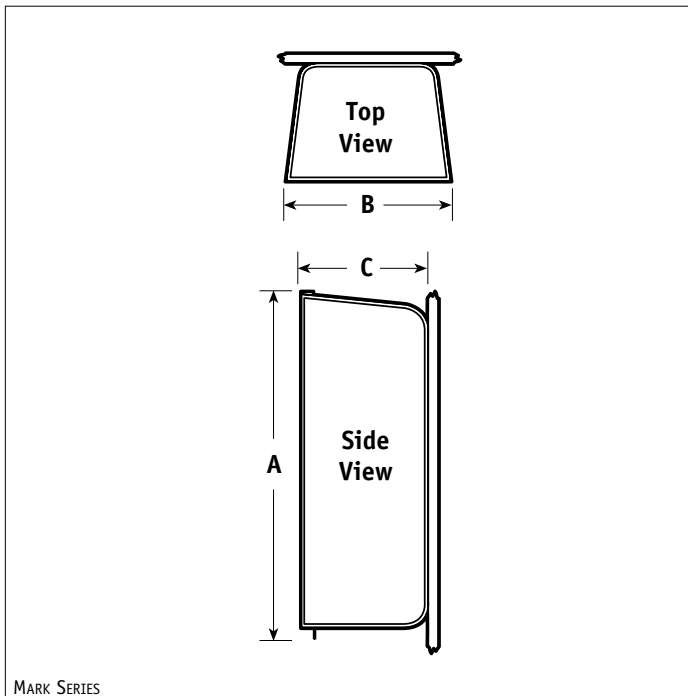
MJWC



M2JRC



M2WR



MARK SERIES

MARK SERIES FIRE EXTINGUISHER CABINETS

Brooks' MARK SERIES FIRE EXTINGUISHER CABINETS better fit today's extinguisher sizes. Cabinets feature injection molded ABS plastic construction, so they're dent-, rust-, and corrosion-proof. Each cabinet comes with a brass lock, a plastic cover, and a screen-printed pictogram on the side. With no glass to break, there's no breaker bar to lose. And since they're light and nest easily together, freight charges are a fraction of what metal cabinets can cost. Choose from three sizes: **Mark I Jr. Cabinets** for extinguishers with a maximum height of 16³/₄"; **Mark II Jr. Cabinets**, 20"; and **Mark II Cabinets**, 24". See sizing chart below for dimensions. Priced per cabinet.

MARK I JR. CABINET. Maximum extinguisher height, 16³/₄".

P/N	DESCRIPTION	LOCATION	EACH
MJM	Red Cabinet w/ Red Cover	Indoor/Outdoor	
MJM6	Red Cabinet w/ Red Cover, Pkg/6	Indoor/Outdoor	
MJRC	Red Cabinet w/ Clear Cover	Indoor	
MJRC6	Red Cabinet w/ Clear Cover, Pkg/6	Indoor	
MJWR	White Cabinet w/ Red Cover	Indoor	
MJWR6	White Cabinet w/ Red Cover, Pkg/6	Indoor	
MJWC	White Cabinet w/ Clear Cover	Indoor	
MJWC6	White Cabinet w/ Clear Cover, Pkg/6	Indoor	

MARK II JR. CABINET. Maximum extinguisher height, 20".

P/N	DESCRIPTION	LOCATION	EACH
M2JM	Red Cabinet w/ Red Cover	Indoor/Outdoor	
M2JM6	Red Cabinet w/ Red Cover, Pkg/6	Indoor/Outdoor	
M2JRC	Red Cabinet w/ Clear Cover	Indoor	
M2JRC6	Red Cabinet w/ Clear Cover, Pkg/6	Indoor	
M2JWR	White Cabinet w/ Red Cover	Indoor	
M2JWR6	White Cabinet w/ Red Cover, Pkg/6	Indoor	
M2JWC	White Cabinet w/ Clear Cover	Indoor	
M2JWC6	White Cabinet w/ Clear Cover, Pkg/6	Indoor	

MARK II CABINET. Maximum extinguisher height, 24".

P/N	DESCRIPTION	LOCATION	EACH
M2M	Red Cabinet w/ Red Cover	Indoor/Outdoor	
M2M6	Red Cabinet w/ Red Cover, Pkg/6	Indoor/Outdoor	
M2RC	Red Cabinet w/ Clear Cover	Indoor	
M2RC6	Red Cabinet w/ Clear Cover, Pkg/6	Indoor	
M2WR	White Cabinet w/ Red Cover	Indoor	
M2WR6	White Cabinet w/ Red Cover, Pkg/6	Indoor	
M2WC	White Cabinet w/ Clear Cover	Indoor	
M2WC6	White Cabinet w/ Clear Cover, Pkg/6	Indoor	

NOTE: The MJM, M2JM and M2M cabinets are the only ones recommended for outdoor use.

FIRE EXTINGUISHER CABINETS and COVERS sizing chart.

CABINET	A HEIGHT	B WIDTH	C DEPTH	MAX EXTR. HEIGHT
MJ SERIES	18 ¹ / ₄ "	8 ¹ / ₂ "	5 ³ / ₈ "	16 ³ / ₄ "
M1 SERIES	19 ³ / ₈ "	8 ³ / ₄ "	6 ¹ / ₂ "	17 ³ / ₄ "
M2J SERIES	21 ³ / ₄ "	9 ³ / ₈ "	6 ³ / ₈ "	20"
M2 SERIES	25 ³ / ₄ "	9 ³ / ₈ "	6 ³ / ₈ "	24"

COVER	A HEIGHT	B WIDTH
MJ SERIES	19 ¹ / ₄ "	8 ⁷ / ₈ "
M1 SERIES	20 ³ / ₈ "	9 ³ / ₁₆ "
M2J SERIES	23"	10 ³ / ₁₆ "
M2 SERIES	27"	10 ³ / ₁₆ "

NOTE: The "A Height" dimension is from the top of the cabinet to below where the padlock is attached, as shown in the diagram to the left.



REPLACEMENT COVERS for **Brooks'** extinguisher cabinets.
See sizing chart on page 26 for dimensions. All prices are per cover.
NOTE: Individual covers are available—call your Sales Rep for pricing. Priced per cover.

P/N	DESCRIPTION	EACH
MJCR6	Red Mark I Jr. Replacement Cover, Pkg/6	
MJC6	Clear Mark I Jr. Replacement Cover, Pkg/6	
M1CR6	Red Mark I Replacement Cover, Pkg/6	
M1C6	Clear Mark I Replacement Cover, Pkg/6	
M2JCR6	Red Mark II Jr. Replacement Cover, Pkg/6	
M2JC6	Clear Mark II Jr. Replacement Cover, Pkg/6	
M2CR6	Red Mark II Replacement Cover, Pkg/6	
M2C6	Clear Mark II Replacement Cover, Pkg/6	



REPLACEMENT COVERS

FireTech™ FIRE EXTINGUISHER CABINETS work well indoors or out, thanks to their high-impact polystyrene construction and ultraviolet inhibitors that keep the color from fading, regardless of the weather or environment. Each cabinet includes an injection-molded frame, a scored break front, plastic cam lock with key, and a break glass hammer. All **FireTech** parts are interchangeable with **CATO Chief Cabinets**.

P/N	DESCRIPTION	H X W X D	EACH
→ FT5PR	Red FireTech Cabinet	19" x 8" x 6 ³ / ₈ "	
→ FT5PR6	Red FireTech Cabinet, Pkg/6	19" x 8" x 6 ³ / ₈ "	
→ FT5PW	White Firetech Cabinet	19" x 8" x 6 ³ / ₈ "	
→ FT5PW6	White Firetech Cabinet, Pkg/6	19" x 8" x 6 ³ / ₈ "	
→ FT10PR	Red FireTech Cabinet	23" x 9" x 7"	
→ FT10PR6	Red FireTech Cabinet Pkg/6	23" x 9" x 7"	
→ FT10PW	White Firetech Cabinet	23" x 9" x 7"	
→ FT10PW6	White Firetech Cabinet, Pkg/6	23" x 9" x 7"	
→ FT20PR	Red FireTech Cabinet	28" x 11" x 9"	
→ FT20PW	White FireTech Cabinet	28" x 11" x 9"	



→ NEW

FT20PW, FT10PW, FT5PR

FireTech™ FIRE EXTINGUISHER CABINET ACCESSORIES

P/N	DESCRIPTION	EACH
→ FT5RF	FT5 Red Frame & Lock	
→ FT5WF	FT5 White Frame & Lock	
→ FT10RF	FT10 Red Frame & Lock	
→ FT10WF	FT10 White Frame & Lock	
→ FT20RF	FT20 Red Frame & Lock	
→ FT20WF	FT20 White Frame & Lock	
FT55	FT5 Replacement Panel	
FT510	FT10 Replacement Panel	
FT520	FT20 Replacement Panel	
→ FTRCL	Cylinder Lock, Red	
→ FTWCL	Cylinder Lock, White	
→ FT100R	Break Front Striker Assy. (Hammer Style), Red	
→ FT100W	Break Front Striker Assy. (Hammer Style), White	



FT10WF, FT5RF, FT510

FT100R

Warrior FIRE EXTINGUISHER CABINET REPLACEMENT PANELS.

P/N	DESCRIPTION	EACH
RCW5R	955 Replacement Panel, Red	
RCW5C	955 Replacement Panel, Clear	
RCW10R	9510 Replacement Panel, Red	
RCW10C	9510 Replacement Panel, Clear	



RCW10C, RCW5R





FGC26

→ NEW

Offers Easy Access To Everything But The Elements

A major step up in fire extinguisher storage and protection, **FireTech™ FIBERGLASS CABINETS** are designed to ward off salt air, chemicals, moisture, dust, insects, temperature extremes, and other harmful elements. These durably constructed cabinets feature a door-sealing method that shuts out most anything and an easy-view window and corrosion resistant handle for extra convenience. All cabinets come standard with a full-length stainless steel hinge, rivets, and latches for added peace of mind. Available in UV-resistant high-visibility red.

CABINET	A HEIGHT	B WIDTH	C DEPTH	MAX EXTR. HEIGHT	EACH
→ FGC10	26 ¹ / ₈ "	13"	9"	23 ¹ / ₂ "	
FGC26	27 ¹ / ₈ "	15 ¹ / ₂ "	9 ³ / ₄ "	24 ¹ / ₂ "	
→ FGC35R	36 ¹ / ₄ "	19 ³ / ₈ "	13 ¹ / ₂ "	33 ¹ / ₄ "	

→ **More FIBERGLASS CABINETS Available - Call for Pricing.**



FT101

This top-quality, highly durable **FireTech™ ABS EXTINGUISHER CABINET** protects an extinguisher or life safety equipment from the harshest of environments. The clear door allows easy inspection, while the maintenance-free polycarbonate construction gives it muscle. There's also a door-swing preference (left or right) and gasket that provides long-term weather protection. Plus a quick-release catch ensures rapid access to what's inside. Cabinet can hold a variety of extinguishers.

P/N	DESCRIPTION	H X W X D	EACH
FT101	ABS Extinguisher Cabinet	30" x 11" x 8 ¹ / ₄ "	



FES1

Make moving fire extinguishers from job site to job site easy with this portable **FIRE EXTINGUISHER STAND**. The stand holds a 5, 10, or 20 lb dry chemical extinguisher and is ideal for wherever a fire extinguisher is required but cannot be permanently mounted. Its 16" x 16" base features a molded-in handle for ease of movement and a large 2¹/₂" fill hole for the addition of sand (up to 35 lbs). The heavy-duty upright attaches easily to base without the use of tools. Constructed from red powder coated steel and predrilled for a fire extinguisher wall hook. For use on construction sites, exhibit halls, workshops, fairs, and more.

NOTE: Sand and wall hook are not included.

P/N	DESCRIPTION	EACH
FES1	Fire Extinguisher Stand, 48"H	



Made of 20-gauge, galvanized steel, **FireTech™** surface-mount **METAL FIRE EXTINGUISHER CABINETS** are rust resistant and come with a white finish, keyed-alike cylinder lock, and scored polystyrene break fronts. Breaker bars sold separately.

P/N	DESCRIPTION	H X W X D
FT916	Cabinet	19 ¹³ / ₁₆ " x 8 ¹ / ₂ " x 6 ¹ / ₄ "
FT926	Cabinet	25 ³ / ₄ " x 9 ¹ / ₂ " x 6 ¹ / ₄ "
FT936	Cabinet	29 ³ / ₄ " x 10 ¹ / ₂ " x 8 ¹ / ₄ "
BEA003	Replacement Top Panel w/ Lock <i>For FT916</i>	
BEA004	Replacement Top Panel w/ Lock <i>For FT926</i>	
BEA005	Replacement Top Panel w/ Lock <i>For FT936</i>	



FT916

BEA003, BEA004, BEA005

Surface-mount **Classic Series METAL FIRE EXTINGUISHER CABINETS** are made of 20-gauge galvanized steel with a bright white finish, keyed-alike cylinder lock, and breakable polystyrene front. Breaker bars sold separately.

P/N	DESCRIPTION	H X W X D
BE916	Cabinet, Pkg/2	19 ¹³ / ₁₆ " x 8 ¹ / ₂ " x 6 ¹ / ₄ "
BE926	Cabinet, Pkg/2	25 ³ / ₄ " x 9 ¹ / ₂ " x 6 ¹ / ₄ "
BE936	Cabinet, Pkg/2	29 ³ / ₄ " x 10 ¹ / ₂ " x 8 ¹ / ₄ "
BEA003	Replacement Top Panel w/ Lock <i>For BE916</i>	
BEA004	Replacement Top Panel w/ Lock <i>For BE926</i>	
BEA005	Replacement Top Panel w/ Lock <i>For BE936</i>	

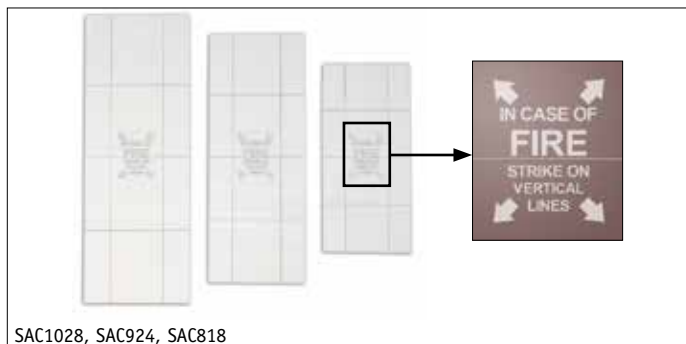


BE916

BEA003, BEA004, BEA005

FireTech™ Economyline, Decorline, and Classic Series fire extinguisher cabinet **ACCESSORIES** include replacement cabinet covers, glass clips, and break front tools. The clear replacement covers are grid-scored for faster and easier access to fire extinguishers. Injection-molded polystyrene covers are screen-printed so respondents know exactly where to strike in case of fire. (See-through scored covers are much easier to break than un-scored versions.)

P/N	DESCRIPTION	1-5	6+
SAC818	Scored Polystyrene Break Front, Clear <i>For BE916, FT916 & 818 Series Cabinets, 17⁷/₈" x 8"</i>		
SAC924	Scored Polystyrene Break Front, Clear <i>For BE926, FT926 & 924 Series Cabinets, 23⁷/₈" x 9"</i>		
SAC1028	Scored Polystyrene Break Front, Clear <i>For BE936, FT936 & 1028 Series Cabinets, 27⁷/₈" x 10"</i>		
818C	8" Glass Clip, Gray <i>Fits Economyline & Decorline Cabinets</i>		
818CW	8" Glass Clip, White <i>Fits Economyline & Decorline Cabinets</i>		
924C	9" Glass Clip, Gray <i>Fits Economyline & Decorline Cabinets</i>		
924CW	9" Glass Clip, White <i>Fits Economyline & Decorline Cabinets</i>		
1028C	10" Glass Clip, Gray <i>Fits all Economyline & Decorline Cabinets</i>		
1028CW	10" Glass Clip, White <i>Fits all Economyline & Decorline Cabinets</i>		
BR13	Break Front Striker Assy. (Bar Style)		
BGH6	Break Front Striker Assy. (Hammer Style)		



SAC1028, SAC924, SAC818



818CW

BGH6

BR13





924TW1

Decorline FIRE EXTINGUISHER CABINETS are a good choice when you need to recess your install. Constructed from cold-rolled steel with a white baked-on rust-resistant finish, these cabinets provide years of solid performance. They are equipped with 2" projecting trim to hide your cutout and a sliding acrylic break-out front for easy access. Breaker bar and lock sold separately. All prices are per cabinet.

P/N	TRIM	TUB ID			FRAME OD		WALL OPENING		
		H	W	D	H	W	H	W	D
818TW1	2"	18"	8 ¹ / ₈ "	5 ¹ / ₂ "	21"	11 ¹ / ₈ "	19"	9"	4"
818TW3	2"	18"	8 ¹ / ₈ "	5 ¹ / ₂ "	21"	11 ¹ / ₈ "	19"	9"	4"
924TW1	2"	24"	9 ¹ / ₈ "	5 ¹ / ₂ "	27"	12 ¹ / ₈ "	25"	10"	4"
924TW3	2"	24"	9 ¹ / ₈ "	5 ¹ / ₂ "	27"	12 ¹ / ₈ "	25"	10"	4"

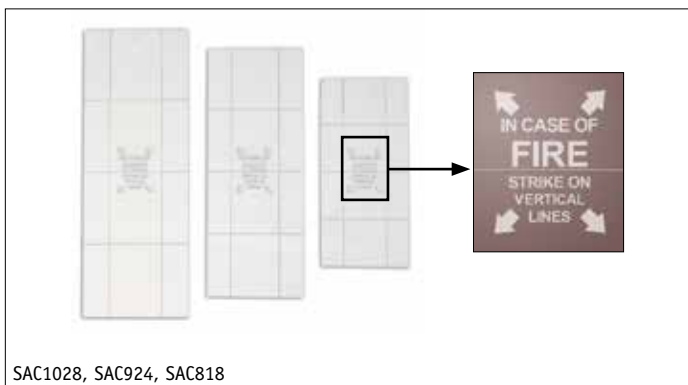
P/N	DESCRIPTION
818TW1	Cabinet
818TW3	Cabinet, Pkg/3
924TW1	Cabinet
924TW3	Cabinet, Pkg/3



818W1, 818G1, 924W1, 924G1, 1028W2, 1028G2

Economyline FIRE EXTINGUISHER CABINETS are constructed from cold-rolled steel with a Hammertone gray or white baked-on rust-resistant finish. Cabinets are also equipped with a sliding acrylic break-out front. Breaker bar and lock sold separately. Priced per cabinet.

P/N	DESCRIPTION	H X W X D (INTERIOR)
818G1	Gray Cabinet	18" x 8 ¹ / ₈ " x 5 ¹ / ₂ "
818G6	Gray Cabinet, Pkg/6	18" x 8 ¹ / ₈ " x 5 ¹ / ₂ "
818W1	White Cabinet	18" x 8 ¹ / ₈ " x 5 ¹ / ₂ "
818W6	White Cabinet, Pkg/6	18" x 8 ¹ / ₈ " x 5 ¹ / ₂ "
924G1	Gray Cabinet	24" x 9 ¹ / ₈ " x 5 ¹ / ₂ "
924G4	Gray Cabinet, Pkg/4	24" x 9 ¹ / ₈ " x 5 ¹ / ₂ "
924W1	White Cabinet	24" x 9 ¹ / ₈ " x 5 ¹ / ₂ "
924W4	White Cabinet, Pkg/4	24" x 9 ¹ / ₈ " x 5 ¹ / ₂ "
1028G2	Gray Cabinet, Pkg/2	28" x 10 ¹ / ₈ " x 8 ¹ / ₄ "
1028W2	White Cabinet, Pkg/2	28" x 10 ¹ / ₈ " x 8 ¹ / ₄ "



SAC1028, SAC924, SAC818

FireTech™ Economyline, Decorline, and Classic Series fire extinguisher cabinet **ACCESSORIES** include replacement cabinet covers, glass clips, and break front tools. The clear replacement covers are grid-scored for faster and easier access to fire extinguishers and screen-printed so respondents know exactly where to strike in case of fire. (See-through scored covers are much easier to break than un-scored versions.)

P/N	DESCRIPTION
SAC818	Scored Polystyrene Break Front, Clear For BE916, FT916 & 818 Series Cabinets, 17 ⁷ / ₈ " x 8"
SAC924	Scored Polystyrene Break Front, Clear For BE926, FT926 & 924 Series Cabinets, 23 ⁷ / ₈ " x 9"
SAC1028	Scored Polystyrene Break Front, Clear For BE936, FT936 & 1028 Series Cabinets, 27 ⁷ / ₈ " x 10"
818C	8" Glass Clip, Gray Fits Economyline & Decorline Cabinets
818CW	8" Glass Clip, White Fits Economyline & Decorline Cabinets
924C	9" Glass Clip, Gray Fits Economyline & Decorline Cabinets
924CW	9" Glass Clip, White Fits Economyline & Decorline Cabinets
1028C	10" Glass Clip, Gray Fits all Economyline & Decorline Cabinets
1028CW	10" Glass Clip, White Fits all Economyline & Decorline Cabinets
BR13	Break Front Striker Assy. (Bar Style)
BGH6	Break Front Striker Assy. (Hammer Style)



818CW



BGH6



BR13



The **ACADEMY**, **AMBASSADOR**, and **COSMOPOLITAN SERIES CABINETS**, manufactured by **J.L. Industries**, are some of the finest cabinets available. They are made of aluminum with a clear anodized finish (**Academy**) or steel with electrostatic white epoxy primer finish (**Ambassador**) or all stainless steel (**Cosmopolitan**). All cabinets include a continuous hinge door and acrylic front with squared edge construction. (The 3" trim model has rolled edge construction). Three different acrylic door styles are stocked too: **Full Acrylic**, **Full Acrylic with Saf-T-Lok**, and **Contemporary V. Full Acrylic** and **Contemporary V** models are equipped with zinc-plated pull handles and roller catches, while the **Full Acrylic with Saf-T-Lok** models use pull handles with keyed-alike cylinder locks and flexible cams.

NOTE: Remember to add the wall material thickness to your wall depth when determining the cabinet you need. Not responsible for acrylic breakage during shipping.

MODELS	TRIM	TUB ID			FRAME OD		WALL OPENING			
		A	B	C	E	F	H	W	D	
1013	Surf	27 ^{3/16"}	13 ^{11/16"}	6 ^{5/8"}	27 ^{3/8"}	13 ^{7/8"}	-	-	-	-
1015	Flat	24"	10 ^{1/2"}	6"	27 ^{3/8"}	13 ^{7/8"}	25"	11 ^{1/2"}	6"	
1017	3"	24"	10 ^{1/2"}	6"	27 ^{3/8"}	13 ^{7/8"}	25"	11 ^{1/2"}	3 ^{1/8"}	
1017FX	3"	24"	10 ^{1/2"}	6"	27 ^{3/8"}	13 ^{7/8"}	26 ^{1/8"}	12 ^{1/2"}	4"	
1413	Surf	17 ^{3/8"}	17 ^{3/8"}	7"	17 ^{1/2"}	17 ^{1/2"}	-	-	-	
1417	3"	14"	14"	6 ^{3/4"}	17 ^{1/2"}	17 ^{1/2"}	15 ^{1/4"}	15 ^{1/4"}	3 ^{3/4"}	
1815	Flat	24"	10 ^{1/2"}	5 ^{1/2"}	27 ^{3/8"}	13 ^{7/8"}	25"	11 ^{1/2"}	5 ^{1/2"}	
1816	1 ^{1/2"}	24"	10 ^{1/2"}	5 ^{1/2"}	27 ^{3/8"}	13 ^{7/8"}	25"	11 ^{1/2"}	4"	
1817	3"	24"	10 ^{1/2"}	5 ^{1/2"}	27 ^{3/8"}	13 ^{7/8"}	25"	11 ^{1/2"}	2 ^{5/8"}	
2015	Flat	27"	12"	7 ^{3/4"}	30 ^{3/8"}	15 ^{3/8"}	28"	13"	7 ^{7/8"}	
1027	3"	24"	10 ^{1/2"}	6"	27 ^{3/8"}	13 ^{7/8"}	25"	11 ^{1/2"}	3 ^{1/8"}	
1037	3"	24"	10 ^{1/2"}	6"	27 ^{3/8"}	13 ^{7/8"}	25"	11 ^{1/2"}	3 ^{1/8"}	
1037FX	3"	24"	10 ^{1/2"}	6"	27 ^{3/8"}	13 ^{7/8"}	26 ^{1/8"}	12 ^{1/2"}	4"	

AMBASSADOR SERIES CABINETS

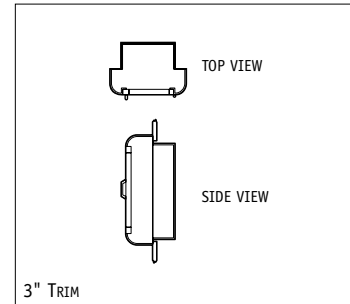
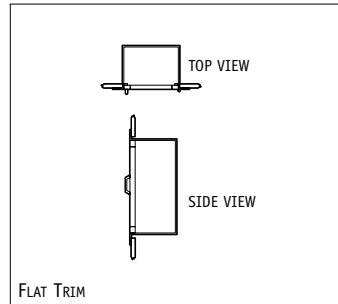
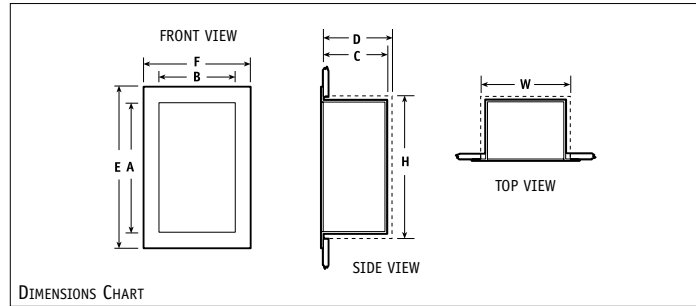
P/N	DESCRIPTION
1013F10	Surface Mount, Full Acrylic
1015F10	Flat Trim, Full Acrylic
1017F10	3" Trim, Full Acrylic
1017F10FX	3" Trim, Full Acrylic (Fire Rated)
1815F10	Flat Trim, Full Acrylic
1816F10	1 ^{1/2"} Trim, Full Acrylic
1817F10	3" Trim, Full Acrylic
2015F10	Flat Trim, Full Acrylic
1017S21	3" Trim, Solid Door
P/N	DESCRIPTION
1013G10	Surface Mount (w/ Saf-T-Lok Door)
1015G10	Flat Trim (w/ Saf-T-Lok Door)
1017G10	3" Trim (w/ Saf-T-Lok Door)
1815G10	Flat Trim (w/ Saf-T-Lok Door)
1816G10	1 ^{1/2"} Trim (w/ Saf-T-Lok Door)
1817G10	3" Trim (w/ Saf-T-Lok Door)
2015G10	Flat Trim (w/ Saf-T-Lok Door)
JLLC	Saf-T-Lok Cam

The **AMBASSADOR SERIES CABINETS** with **Contemporary** vertical duo panel door.

P/N	DESCRIPTION
1013V10	Surface Mount
1015V10	Flat Trim
1017V10	3" Trim
1815V10	Flat Trim
1816V10	1 ^{1/2"} Trim
1817V10	3" Trim
2015V10	Flat Trim

ACADEMY and COSMOPOLITAN SERIES CABINETS with Full Acrylic door.

P/N	DESCRIPTION
1027F10	3" Trim (Aluminum)
1037F10	3" Trim (Stainless Steel)
1037F10FX	3" Trim (Fire Rated)



A Sound Investment



A **Brooks'** exclusive, these fire extinguisher **CABINET ALARMS** sound off with a 105 dB alarm when the extinguisher is removed. They're self-adhesive and install in seconds. Measures 2³/₄"H x 2¹/₄"W x 1"D. Batteries not included.

P/N	DESCRIPTION
CFAW	White Cabinet Alarm
CFAR	Red Cabinet Alarm
ALK22	9V Alkaline Battery

SEE PAGE 195



CFAW



CFAR

CABINET ACCESSORIES

These **FIRE EXTINGUISHER BACKBOARDS** make it easy for anyone to locate an extinguisher fast. There's an "EXTINGUISHER MISSING" warning label, so missing extinguishers can be reported and replaced right away. Backboard has an illustrated "FIRE" label, space for contact info, 1/4" mounting holes, and rounded corners for safety. Made of UV-resistant injection-molded polypropylene. Red.

P/N	DESCRIPTION	H X W
EMB	Fire Extinguisher Backboard, 2 ¹ / ₂ , 5 lb	22 ¹ / ₂ " x 8 ¹ / ₂ "
EMBL	Fire Extinguisher Backboard, 10, 20 lb	27 ³ / ₄ " x 10 ¹ / ₂ "

These **FIRE EXTINGUISHER DECALS** are for labeling cabinets and bubble covers as required by various AHJs. Choice of horizontal or vertical decals with red lettering on clear background.

P/N	DESCRIPTION	H X W
BL253	"Fire Extinguisher" for Cabinet	19" x 2"
BL254	"Fire Extinguisher" for Cabinet	2 ¹ / ₄ " x 7 ¹ / ₈ "
BL255	"Fire Extinguisher" for Small Bubble	13" x 3 ³ / ₈ "
BL256	"Fire Extinguisher" for Large Bubble	16 ¹ / ₂ " x 1 ¹ / ₂ "



EMB



BL253



BL254



Brooks' BUBBLE COVERS are designed for use on metal extinguisher cabinets with full door styles. Both models offer transparency for good extinguisher visibility. Polycarbonate models offer extra strength for added security. Decals sold separately.

P/N	DESCRIPTION	H X W X D
ABUB1	Extra-Small Acrylic (Larsens)	21 ¹ / ₂ " x 6 ³ / ₄ " x 4"
ABUB2	Small Acrylic (JL)	22 ¹ / ₄ " x 8 ¹ / ₂ " x 4"
ABUB3	Large Acrylic (JL)	28" x 11 ¹⁵ / ₁₆ " x 5"
ABUB4	Large Acrylic (Larsens Steel)	28 ¹ / ₂ " x 12 ³ / ₅ "
ABUB5	Large Acrylic (Larsens Alum)	29 ¹ / ₂ " x 13 ¹ / ₄ "
PBUB1	Extra Small Poly (Larsens)	21 ¹ / ₂ " x 6 ³ / ₄ " x 4"
PBUB2	Small Poly (JL)	22 ¹ / ₄ " x 8 ¹ / ₂ " x 4"
PBUB3	Large Poly (JL)	28" x 11 ¹⁵ / ₁₆ " x 5"
PBUB4	Large Poly (Larsens)	28 ¹ / ₂ " x 12 ³ / ₅ "
PBUB5	Large Poly (Larsens)	29 ¹ / ₂ " x 13 ¹ / ₄ "



BUBBLE COVER w/ BL255



ABUB2 In Use

STI's® FIRE EXTINGUISHER THEFT STOPPER helps stop theft, vandalism, and misuse of fire extinguishers. If the protected fire extinguisher is moved or jostled, **Theft Stopper** emits an instantaneous piercing alarm. Plus there's a highly visible "STOP, EMERGENCY USE ONLY" to further deter unauthorized handling. The **Theft Stopper** is simple to install and comes with a deactivation cable (for when extinguisher needs servicing). Red.

P/N	DESCRIPTION	EACH
STI6200	Fire Extinguisher Theft Stopper	



STI6200 In Use

BREAKAWAY BRASS PADLOCK is for securing cabinets and other equipment until needed in an emergency. Designed to be opened with a key or broken away. Inside shackle height is 7/8".

P/N	DESCRIPTION	EACH
SBL66	Keyed-Alike Breakaway Brass Padlock	



ML500KA

Master Lock® is a name synonymous with quality padlocks. The keyed-alike **BREAKAWAY STEEL PADLOCK** has a 1³/₄"-wide laminated steel body for superior strength and comes with two keys and a steel shackle for superior cut resistance. A warded locking mechanism helps minimize jamming caused by dirt and grime. And it's rustproof. Inside shackle height is 1³/₁₆".

P/N	DESCRIPTION	EACH
ML500KA	Keyed-Alike Breakaway Steel Padlock	



2 CABINETS, ACCESSORIES, & COVERS



M12L



1635AB

Corrosion-resistant **PADLOCK** features an all-brass shackle, making it ideal for cabinets and other security requirements where economy and keyed-alike convenience is essential. Inside shackle height is $\frac{5}{8}$ ".

P/N	DESCRIPTION	EACH
M12L	Keyed-Alike Brass Padlock	



PPL



MS5100 In Use

Abus' ECONOMY PADLOCK is designed for cabinet use and comes with a steel shackle. Keyed-alike. Inside shackle height is $\frac{3}{4}$ ". Blue.

P/N	DESCRIPTION	EACH
1635AB	Abus Economy Padlock	

Single-use **PLASTIC PADLOCKS** must be cut or broken away. Inside shackle height is $\frac{3}{4}$ ". Red.

P/N	DESCRIPTION	EACH
PPL	Red Plastic Padlock Seal	



MS5100

ADHESIVE-BACKED MAGNETIC STRIP makes mounting signs, breaker bars, and other metal goods a snap. **MS5100** is designed to withstand temperatures from -40°F to 160°F. Each **Magnetic Strip** comes with a peel-off liner and durable outdoor adhesive for good adherence. Sold in easy-to-cut rolls.

P/N	DESCRIPTION	EACH
MS5100	Adhesive Magnetic Strip, $\frac{1}{2}$ " x 100'	



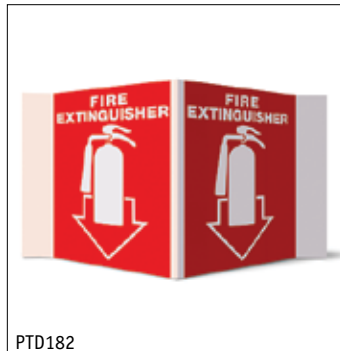
BR13

BREAK FRONT STRIKERS are designed to easily break glass or plastic break-front-type cabinet covers.

P/N	DESCRIPTION
BR13	Break Front Striker Assy (Bar Style)
BGH6	Break Front Striker Assy (Hammer Style)



BGH6



PTD182



PTD109B

3-D RIGID PLASTIC ANGLE SIGNS

P/N	DESCRIPTION	L X H
PTD108	"Fire Extinguisher" Arrow	4" x 12"
PTD109	"Fire Extinguisher" Arrow	4" x 18"
PTD182	"Fire Extinguisher" Arrow	5" x 6"
PTD109B	"Fire Extinguisher" Arrow, Bilingual	11" x 18"

NOTE: For More Signs, Please See Section 9.



Auxiliary **CABINET KEY SET** will open **Brooks, FireTech™, Cato, J.L. Industries, Larsen's®, Modern Metal, Potter Roemer, Rome Metal, Samson, Heiser, and Thomas Enterprises** fire extinguisher cabinets. Set includes a **Tyvek®** cross reference tag for easy identification.

P/N	DESCRIPTION	EACH
CKS	Cabinet Key Set	



CKS

The **UNIVERSAL CAM LOCK** assembly is for changing out damaged or worn-out locks and is adaptable to most cabinets. Comes with two cam choices or use the one off the old lock.

P/N	DESCRIPTION	EACH
UCL	Replacement Universal Cam Lock w/ Keys	



UCL



JLHP

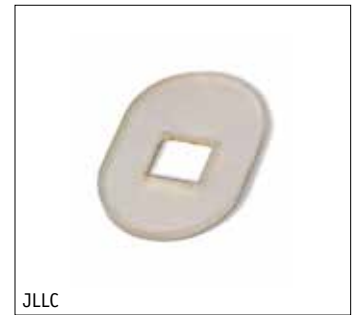
JL Cabinets HARDWARE PACK and **CAM LOCK ASSEMBLY** work perfectly with your **JL Cabinets**. The **Cam Lock Assembly** replaces old, worn-out cam locks on **JL Cabinets**. **Hardware Pack** includes a friction roller catch and glass clips.

P/N	DESCRIPTION
JLHP	Hardware Pack for JL Cabinets
JLSL	Safety Cam Lock Assy for JL Cabinets

P/N	DESCRIPTION
JLLC	Saf-T-Lok Cam



JLSL



JLLC

KEY BOX

Keep track of keys with this **KEY BOX** from **Brooks**. It's made of durable ABS plastic in a two-piece design that allows for easier access in an emergency. The polystyrene cover snaps right into place. Measures 4 1/4" x 1 1/4". Red.

P/N	DESCRIPTION
BKB	ABS Key Box "Break Glass For Key," New Style
KBRC	Replacement Plastic Cover for BKB
RKBG	Replacement Plastic Cover for Old Style Key Box (KB)



BKB

LOCK BOX

16-gauge steel **FIRE DEPARTMENT LOCK BOX** adds up to a lot of security. Measures 6"H x 4"W x 1 1/2"D. Red.

P/N	DESCRIPTION	EACH
LBFD	Fire Department Lock Box	



LBFD





FEC1



FEC1W



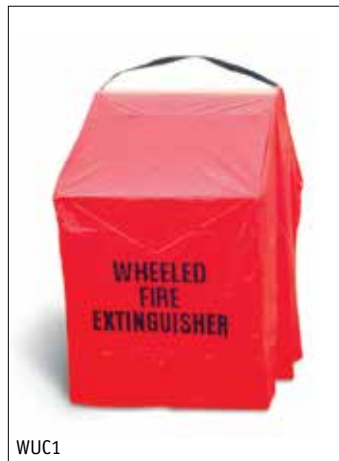
FEC4E



FEC4EW



FEC8



WUC1



WUC3



FHDC1

VINYL COVERS

Brooks FIRE EXTINGUISHER COVERS are made of reinforced vinyl with hook-and-loop closures or elastic-back and pull bottom tabs/straps for easy, long-lasting use. Covers fit portable, pressurized, and cartridge-operated extinguishers. Red.

P/N	DESCRIPTION	H X W	EACH
FEC1	Small Cover w/ Hook-and-Loop Closure	20" x 11 ¹ / ₂ "	
FEC1W	Small Cover w/ Hook-and-Loop Closure, Window	20" x 11 ¹ / ₂ "	
FEC2	Medium Cover w/ Hook-and-Loop Closure	25" x 16 ¹ / ₂ "	
FEC2W	Medium Cover w/ Hook-and-Loop Closure, Window	25" x 16 ¹ / ₂ "	
FEC3	Large Cover w/ Hook-and-Loop Closure	31" x 16 ¹ / ₂ "	
FEC3W	Large Cover w/ Hook-and-Loop Closure, Window	31" x 16 ¹ / ₂ "	

P/N	DESCRIPTION	H X W X D
FEC4E	Extra Small Cover w/ Elastic-Back, Pull Bottom Tab	18 ¹ / ₂ " x 7" x 6"
FEC4EW	Extra Small Cover w/ Elastic-Back, Pull Bottom Tab, Window	18 ¹ / ₂ " x 7" x 6"
FEC5E	Small Cover w/ Elastic-Back, Pull Bottom Strap	22 ¹ / ₂ " x 6 ¹ / ₄ "
FEC5EW	Small Cover w/ Elastic-Back, Pull Bottom Strap, Window	22 ¹ / ₂ " x 6 ¹ / ₄ "
FEC6E	Medium Cover w/ Elastic-Back, Pull Bottom Strap	25 ¹ / ₂ " x 8"
FEC6EW	Medium Cover w/ Elastic-Back, Pull Bottom Strap, Window	25 ¹ / ₂ " x 8"

HEAVY-DUTY FIRE EXTINGUISHER COVERS are made of acrylic coated polyester with hook-and-loop closures, for the harshest conditions. (Based on test results, covers have a minimum five-year lifespan outdoors under normal conditions.) Covers fit portable, pressurized, and cartridge-operated extinguishers. Red.

P/N	DESCRIPTION	H X W	EACH
FEC10	Extra-Small Cover	18 ¹ / ₂ " x 7"	
FEC7	Small Cover	20" x 11 ¹ / ₂ "	
FEC8	Medium Cover	25" x 16 ¹ / ₂ "	
FEC9	Large Cover	31" x 16 ¹ / ₂ "	

WHEELED UNIT COVERS feature the same qualities as the **Fire Extinguisher Covers**, in standard or heavy-duty material. Red.

P/N	DESCRIPTION	H X W X D
WUC50	50 lb DC Cover	47 ¹ / ₂ " x 16" x 24"
WUC3	50 & 75 lb CO ₂ Cover	54" x 16" x 27"
WUC6	50 & 75 lb CO ₂ Heavy-Duty Cover	54" x 16" x 27"
WUC1	150 lb Cover	53" x 42" x 30"
WUC4	150 lb Heavy-Duty Cover	53" x 42" x 30"
WUC2	350 lb Cover	58" x 52" x 38"
WUC5	350 lb Heavy-Duty Cover	58" x 52" x 38"

HEAVY-DUTY FIRE HYDRANT COVERS are made of reinforced vinyl with **Velcro**® closures and come with reinforced grommets that allow for chain/wire attachment to prevent removal. Fluorescent Red.

P/N	DESCRIPTION
FHDC1	Heavy-Duty Fire Hydrant Cover

